

Product No. **8312-510-10**  
 S No.  
 EAN No. **7312908312202**



## Ohm Table 100/190

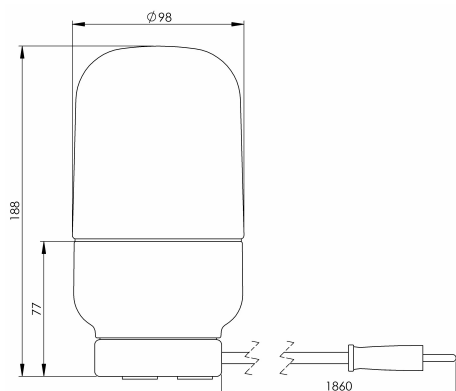
A family of porcelain luminaires for walls, ceilings and tables. Designed by Kauppi & Kauppi, the soft curves and restrained silhouette references to both Scandinavian design and ancient Japanese tableware.

### Specification

|                  |                       |
|------------------|-----------------------|
| Base material    | Porcelain             |
| Lampholder       | E27                   |
| Light source     | Max 40W (not incl.)   |
| Voltage          | 230V                  |
| Installation     | Table lamp            |
| Base colour      | White NCS S 1502-G50Y |
| Safety class     | II                    |
| Protection class | IP20                  |
| Energy class     | -                     |
| T <sub>a</sub>   | -30 - +25             |
| Height           | 188 mm                |
| Diameter Ø       | 98 mm                 |
| Glass            | Clear glas            |
| Thread           | 84,5 mm               |
| Weight           | 1,07 kg               |
| Design           | Kauppi & Kauppi       |

### Installation

Connect the plug to the socket.



### Technical information

Table luminaire in porcelain and glass with a wooden base in ash. Equipped with a two-meter textile cord with dimmer switch and EU plug class II. Silicone gasket between glass and base.

### Maintenance

Disconnect the luminaire. Remove the shade and clean it. Do not use cleaning agents containing solvents. Change the light source if necessary. Check the gasket and change it if necessary. Replace the shade.

### Spare parts

Shade: Part no 1-6161-10  
 Gasket: Part no 02786-1

*If the luminaire is modified the person responsible for the modification shall be considered manufacturer. Subject to errors in text. We reserve the right to change the technical specifications (without notice).*

