

Product No. **8311-200-16**
 S No.
 EAN No. **7312908311168**



Ohm Table 100/130

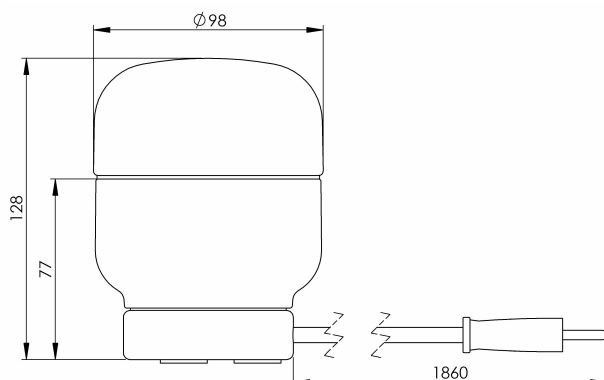
A family of porcelain luminaires for walls, ceilings and tables. Designed by Kauppi & Kauppi, the soft curves and restrained silhouette references to both Scandinavian design and ancient Japanese tableware.

Specification

Base material	Porcelain
Lampholder	G9
Light source	Max 20W (not incl.)
Voltage	230V
Installation	Table lamp
Base colour	Black NCS S 9000-N
Safety class	II
Protection class	IP20
Energy class	-
T _a	-30 - +25
Height	128 mm
Diameter Ø	98 mm
Glass	Matt opal
Thread	84,5 mm
Weight	0,92 kg
Design	Kauppi & Kauppi

Installation

Connect the plug to the socket.



Technical information

Table luminaire in porcelain and glass with a wooden base in ash. Equipped with a two-meter textile cord with dimmer switch and EU plug class II. Silicone gasket between glass and base.

Maintenance

Disconnect the luminaire. Remove the shade and clean it. Do not use cleaning agents containing solvents. Change the light source if necessary. Check the gasket and change it if necessary. Replace the shade.

Spare parts

Shade: Part no 1-6160-30
 Gasket: Part no 02786-1

If the luminaire is modified the person responsible for the modification shall be considered manufacturer. Subject to errors in text. We reserve the right to change the technical specifications (without notice).

