

Product No. **8301-200-16**
 S No.
 EAN No. **7312908301169**



Ohm 100/110

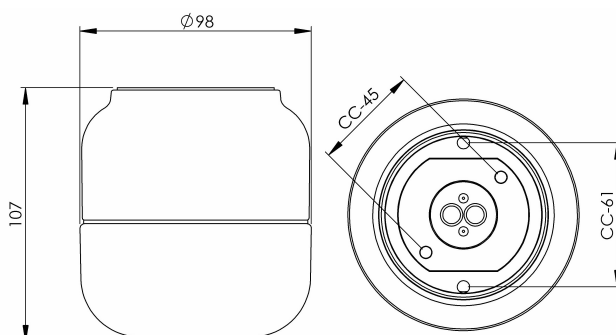
A family of porcelain luminaires for walls, ceilings and tables. Designed by Kauppi & Kauppi, the soft curves and restrained silhouette references to both Scandinavian design and ancient Japanese tableware.

Specification

| | |
|------------------|---------------------|
| Base material | Porcelain |
| Lampholder | G9 |
| Light source | Max 20W (not incl.) |
| Voltage | 230V |
| Installation | Ceiling/wall |
| Base colour | Black NCS S 9000-N |
| Safety class | II |
| Protection class | IP44 |
| Energy class | - |
| T _a | -30 - +25 |
| Height | 108 mm |
| Diameter Ø | 98 mm |
| Glass | Matt opal |
| Thread | 84,5 mm |
| Weight | 0,73 kg |
| Design | Kauppi & Kauppi |

Installation

Insert the mains supply cable through the bottom inlet. Fix the light fitting to the wall or to the ceiling with suitable screws. Connect the leads via the terminal connection. Fasten the lamp holder. Insert a light source and then fasten the shade by turning it clockwise. Make sure the gasket between the glass and base is in place.



Technical information

Silicone gasket between glass and base. Four Ø 5mm holes for installation. Two holes CC measurement 61 mm, alternatively two hidden holes CC measurement 45 mm. One bottom inlet for two mains supply cable. Terminal connection of max 2 x 2,5 mm². Bridging is possible. Bottom inlet. No knock out openings.

Maintenance

Switch off the power to the fixture. Remove the shade and clean it. Do not use cleaning agents containing solvents. Change the light source if necessary. Check the gasket and change it if necessary. Replace the shade.

Spare parts

Shade: Part no 1-6160-30
 Gasket: Part no 02786-1

If the luminaire is modified the person responsible for the modification shall be considered manufacturer. Subject to errors in text. We reserve the right to change the technical specifications (without notice).

