

Product No. **8262-506-10**
 S No.
 EAN No. **7312908262569**



Opus 200/135 Sensor

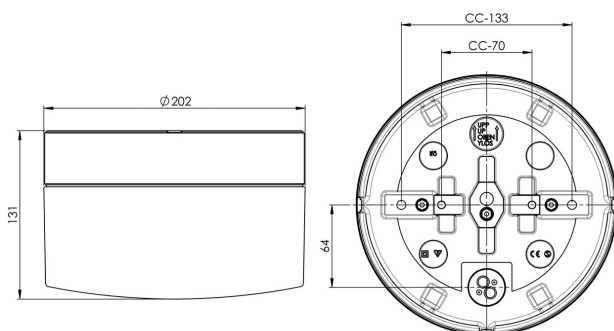
We have increased our assortment with six sensor fixtures. The light fittings, all with white glazed ceramic bases, have a movement sensor that is adapted for both indoor and outdoor use.

Specification

Base material	Porcelain
Lampholder	E27
Light source	Max 20W CFL (not incl.)
Voltage	230V
Installation	Ceiling/wall
Base colour	White NCS S 1502-G50Y
Safety class	I
Protection class	IP44
Energy class	-
T _a	-30 - +25
Height	131 mm
Diameter Ø	202 mm
Glass	Matt opal
Thread	185,5 mm
Weight	2,2 kg
Design	Håkan Svennesson SD

Installation

Insert the mains supply cable through the bottom inlet. Fix the light fitting to the wall or to the ceiling with suitable screws, make sure that the arrow and text UP on the bottom of the base points upwards for wall installation. Connect the leads to the terminals. Set the sensor functions. Insert a light source and then fasten the shade by turning it clockwise. Make sure the gasket between the glass and base is in place.



Technical information

Sensor function: Off/On: The light fitting is turned on by movement. Daylight control: The fitting can be set to remain turn down to the luminosity desired, e.g. daylight. Hold time: How long the fitting will remain lit after movement. Technical data: The microwave movement-sensor is adapted for indoor and outdoor use. Master/slave coupling: Max 1200W resistive or 400W inductive load. Installation height: Max 6 m. Max range: 4-10 m depending on installation, can be adjusted to 10/25/50/75/100 % of the max range. Hold time: 5s/30s/60s/300s/15 min/30 min, can be adjusted. Daylight control: 2-50 lux. Silicone gasket between glass and base. Four Ø 5mm hole for installation. CC measurements 133 mm or 70 mm. One bottom inlet for two mains supply cables. Terminal connection of max 2 x 1,5 mm². Bridging is possible. Bottom inlet, three knock out openings.

Maintenance

Switch off the power to the fixture. Remove the shade and clean it. Do not use cleaning agents containing solvents. Change the light source if necessary. Check the gasket and change it if necessary. Replace the shade.

Spare parts

Shade: Part no 1-6183-30
 Gasket: Part no 3431

If the luminaire is modified the person responsible for the modification shall be considered manufacturer. Subject to errors in text. We reserve the right to change the technical specifications (without notice).

