

Product No. **8252-800-10**  
 S No.  
 EAN No. **7312908252812**



## Opus 140 /170 LED

Opus 140/170 LED is an elegant cylindrical formed light fitting. Its timeless design is suitable for wall or ceiling installation, both indoors and outdoors. Equipped with a LED module, 10W.

### Specification

Base material	Porslin
Light source	LED-modul, 10W **
Luminaire lm	-
Lm Light source	956 lm
Color temp.	3000K
MacAdam	3
Lifetime	50 000 h
Ra (CRI)	Min 90
Dimmable	Ja
Voltage	230V
Installation	Ceiling/wall
Base colour	White NCS S 1502-G50Y
Safety class	I
Protection class	IP44
Energy class	F
T <sub>a</sub>	-30 - +25
Height	171
Diameter	138
Glass	Matt opal
Thread	123,5 mm
Weight	1,34 kg
Design	Duoform

### Installation

Insert the mains supply cable through the bottom inlet. Fix the light fitting to wall or ceiling with suitable screws. Connect the leads to the terminals and fasten the LED module. Fasten the shade by turning it clockwise. Make sure the gasket between the glass and base is in place.

### Technical information

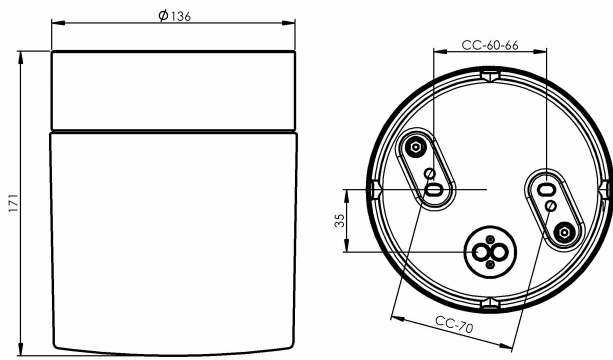
Silicone gasket between glass and base. Four Ø 5mm holes for installation. Two holes CC measurement 70 mm, alternatively two hidden holes CC measurement 60-66 mm. Bottom inlet suitable for two leads. Terminal for connection of max 3 x 2,5 mm<sup>2</sup>. Bridging is possible. Bottom inlet, four knock out openings.

### Maintenance

Bryt strömmen till armaturen. Skruva av glaset och rengör det. Använd inte rengöringsmedel som innehåller lösningsmedel. Byt ljuskälla om nödvändigt. Kontrollera packningen och byt den om nödvändigt. Sätt på glaset.

### Spare parts

Gasket: 02789, 79 057 04  
 Shade: 1-6188-30, 7906116



*\*\* The device must under no circumstances be connected to the same phase as a magnetic ballast or other older fluorescent luminaires as these luminaires can generate overvoltage transients outside of EU regulatory standards when switched off or on. The luminaire can permanently damage or completely cease to function when connected.*

*If the luminaire is modified the person responsible for the modification shall be considered manufacturer. Subject to errors in text. We reserve the right to change the technical specifications (without notice).*

