

Product No. **8252-510-10**
 S No.
 EAN No. **7312908252515**



Opus 140 /170

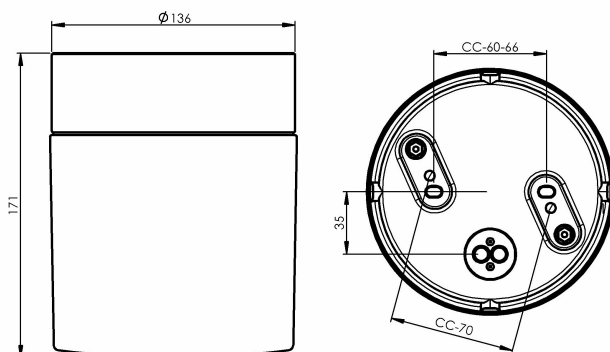
Open 140/170 is an elegant cylindrical shaped light fitting. Its timeless design is suitable for wall or ceiling installation, both indoors and outdoors.

Specification

Base material	Porslin
Lampholder	E27
Light source	E27, max 40W (not incl.)
Voltage	230V
Installation	Ceiling/wall
Base colour	White NCS S 1502-G50Y
Safety class	II
Protection class	IP44
Energy class	-
T _a	-30 - +25
Height	171 mm
Diameter Ø	138 mm
Glass	Clear glass
Thread	123,5 mm
Weight	1,67 kg
Design	Duoform

Installation

Pull the cable through the rubber inlet in the bottom of the base. Fix the light fitting to the wall or to the ceiling with suitable screws. Connect the leads to the terminals. Fasten the lamp holder. Insert a light source and then fasten the shade by turning it clockwise. Make sure the gasket between the glass and base is in place.



Technical information

Four Ø 5mm holes for installation. Two holes CC measurement 70 mm, alternatively two hidden holes CC measurement 60-66 mm. Bottom inlet suitable for two leads. Terminal for connection of max 2 x 2,5 mm². Bridging is possible. Bottom inlet, four knock out openings.

Maintenance

Bryt strömmen till armaturen. Skruva av glaset och rengör det. Använd inte rengöringsmedel som innehåller lösningsmedel. Byt ljuskälla om nödvändigt. Kontrollera packningen och byt den om nödvändigt. Sätt på glaset.

Spare parts

Gasket: 02789, 79 057 04
 Shade: 1-6188-10, 7906117

If the luminaire is modified the person responsible for the modification shall be considered manufacturer. Subject to errors in text. We reserve the right to change the technical specifications (without notice).

