

Product No. **8252-500-10**
 S No.
 EAN No. **7312908252508**



Opus 140 /170

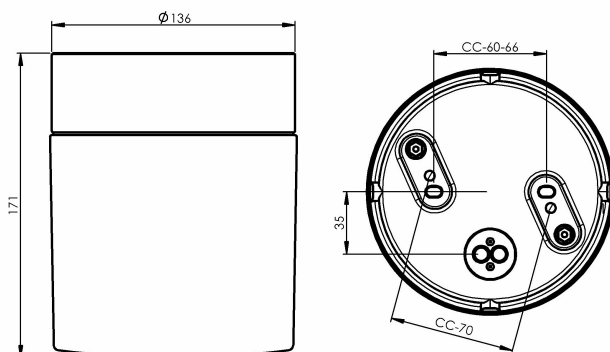
Open 140/170 is an elegant cylindrical shaped light fitting. Its timeless design is suitable for wall or ceiling installation, both indoors and outdoors.

Specification

| | |
|------------------|--------------------------|
| Base material | Porslin |
| Lampholder | E27 |
| Light source | E27, max 40W (not incl.) |
| Voltage | 230V |
| Installation | Ceiling/wall |
| Base colour | White NCS S 1502-G50Y |
| Safety class | II |
| Protection class | IP44 |
| Energy class | - |
| T _a | -30 - +25 |
| Height | 171 mm |
| Diameter Ø | 138 mm |
| Glass | Matt opal |
| Thread | 123,5 mm |
| Weight | 1,67 kg |
| Design | Duoform |

Installation

Pull the cable through the rubber inlet in the bottom of the base. Fix the light fitting to the wall or to the ceiling with suitable screws. Connect the leads to the terminals. Fasten the lamp holder. Insert a light source and then fasten the shade by turning it clockwise. Make sure the gasket between the glass and base is in place.



Technical information

Four Ø 5mm holes for installation. Two holes CC measurement 70 mm, alternatively two hidden holes CC measurement 60-66 mm. Bottom inlet suitable for two leads. Terminal for connection of max 2 x 2,5 mm². Bridging is possible. Bottom inlet, four knock out openings.

Maintenance

Bryt strömmen till armaturen. Skruva av glaset och rengör det. Använd inte rengöringsmedel som innehåller lösningsmedel. Byt ljuskälla om nödvändigt. Kontrollera packningen och byt den om nödvändigt. Sätt på glaset.

Spare parts

Gasket: 02789, 79 057 04
 Shade: 1-6188-30, 7906116

If the luminaire is modified the person responsible for the modification shall be considered manufacturer. Subject to errors in text. We reserve the right to change the technical specifications (without notice).

