

Product No. **8251-801-12**
 S No.
 EAN No. **7312908251228**



Opus 140 /100 LED

Opus 140/100 LED is an elegant cylindrical formed light fitting. Its timeless design is suitable for wall or ceiling installation, both indoors and outdoors. Equipped with a LED module, 10W.

Specification

Base material	Porcelain
Light source	LED module, 10W **
Luminaire lm	-
Lm Light source	850 lm
Color temp.	2700K
MacAdam	3
Lifetime	50 000 h
Ra (CRI)	Min 80
Dimmable	Yes
Voltage	230V
Installation	Ceiling/wall
Base colour	Grey NCS S 6005-G50Y
Safety class	I
Protection class	IP44
Energy class	F
T _a	-30 - +25
Height	100
Diameter	138
Glass	Matt opal
Thread	123,5 mm
Weight	1,34 kg
Design	Duoform

Installation

Insert the mains supply cable through the bottom inlet. Fix the light fitting to wall or ceiling with suitable screws. Connect the leads to the terminals and fasten the LED module. Fasten the shade by turning it clockwise. Make sure the gasket between the glass and base is in place.

Technical information

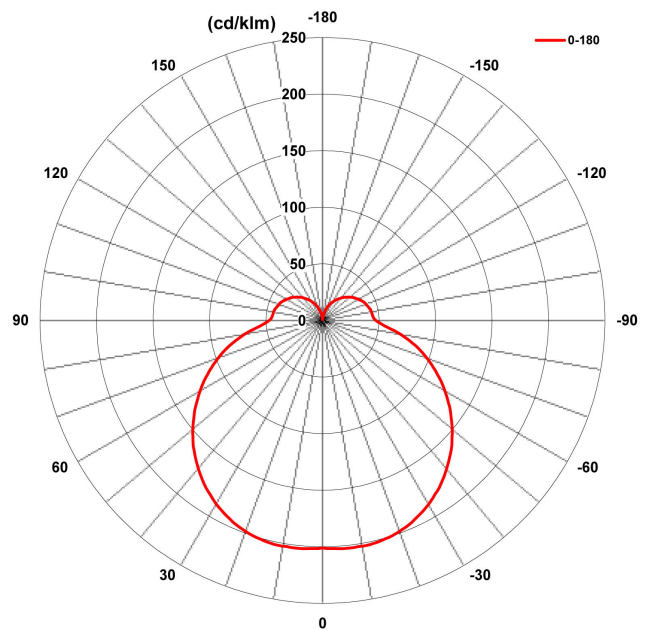
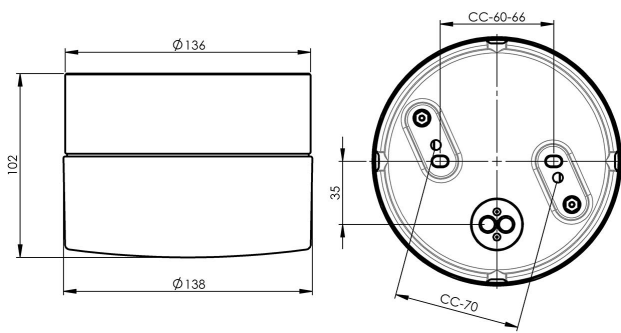
Silicone gasket between glass and base. Four Ø 5mm holes for installation. Two holes CC measurement 70 mm, alternatively two hidden holes CC measurement 60-66 mm. Bottom inlet suitable for two leads. Terminal for connection of max 3 x 2,5 mm². Bridging is possible. Bottom inlet, four knock out openings.

Maintenance

Switch off the power to the fixture. Remove the shade and clean it. Do not use cleaning agents containing solvents. Change the LED module if necessary. Check the gasket and change it if necessary. Replace the shade.

Spare parts

Gasket: 02789, 79 057 04
 Shade: 1-6187-30, 7906093



*** The device must under no circumstances be connected to the same phase as a magnetic ballast or other older fluorescent luminaires as these luminaires can generate overvoltage transients outside of EU regulatory standards when switched off or on. The luminaire can permanently damage or completely cease to function when connected.*

If the luminaire is modified the person responsible for the modification shall be considered manufacturer. Subject to errors in text. We reserve the right to change the technical specifications (without notice).

