

Product No. **8251-400-10**  
 S No.  
 EAN No. **7312908251303**



## Opus 140 /100

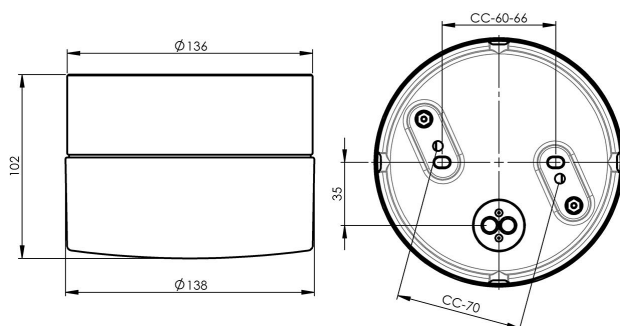
Open 140/100 is an elegant cylindrical shaped light fitting. Its timeless design is suitable for wall or ceiling installation, both indoors and outdoors.

### Specification

Base material	Porslin
Lampholder	GX53
Light source	GX53, max 7W (not incl.)
Voltage	230V
Installation	Ceiling/wall
Base colour	White NCS S 1502-G50Y
Safety class	I
Protection class	IP44
Energy class	-
T <sub>a</sub>	-30 - +25
Height	100 mm
Diameter Ø	138 mm
Glass	Matt opal
Thread	123,5 mm
Weight	1,051 kg
Design	Duoform

### Installation

Insert the mains supply cable through the bottom inlet. Fix the light fitting to wall or ceiling with suitable screws. Connect the leads to the terminals and fasten the lampholder. Fasten the shade by turning it clockwise. Make sure the gasket between the glass and base is in place.



### Technical information

Silicone gasket between glass and base. Four Ø 5mm holes for installation. Two holes CC measurement 70 mm, alternatively two hidden holes CC measurement 60-66 mm. Terminal for connection of max 3 x 2,5 mm<sup>2</sup>. Bridging is possible. Bottom inlet, four knock out openings.

### Maintenance

Bryt strömmen till armaturen. Skruva av glaset och rengör det. Använd inte rengöringsmedel som innehåller lösningsmedel. Byt ljuskälla om nödvändigt. Kontrollera packningen och byt den om nödvändigt. Sätt på glaset.

### Spare parts

Gasket: 02789, 79 057 04  
 Shade: 1-6187-30, 7906093

*If the luminaire is modified the person responsible for the modification shall be considered manufacturer. Subject to errors in text. We reserve the right to change the technical specifications (without notice).*

