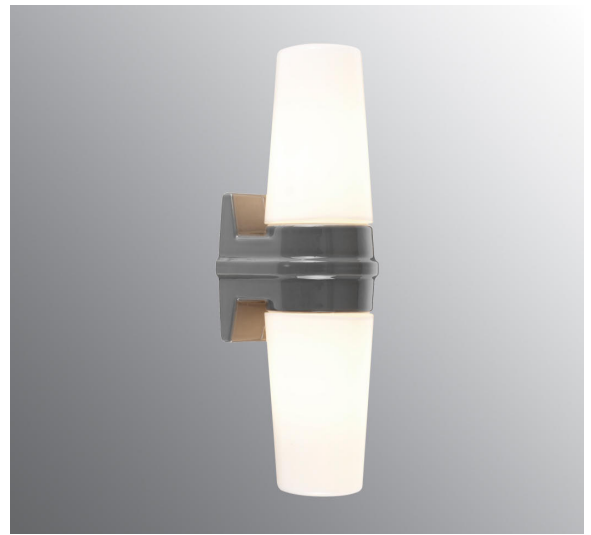


Product No. **6060-704-12**
 S No. **4212030**
 EAN No. **7312906060129**



Bernadotte

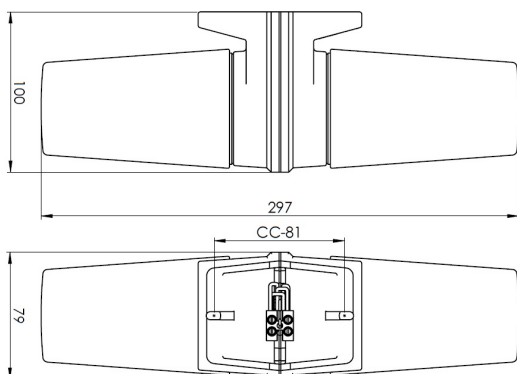
It is said that good design is timeless. Designed by Sigvard Bernadotte in the middle of the 1960's - 50 years later, it is still as popular.

Specification

Base material	Porcelain
Lampholder	E14
Light source	2 x max 40W (not incl.)
Voltage	230V
Installation	Wall
Base colour	Grey NCS S 6005-G50Y
Safety class	II
Protection class	IP20
Energy class	-
T _a	-30 - +25
Height	297 mm
Diameter Ø	
Glass	Shiny opal
Thread	57 mm
Weight	0,8 kg
Design	Sigvard Bernadotte

Installation

Connect the leads to the terminals. Fix the light fitting to the wall with suitable screws. Insert light sources and then fasten the shades by turning them clockwise. Make sure the gaskets between the glasses and base are in place.



Technical information

Silicone gasket between glass and base. Two Ø 5mm holes for installation. CC measurement 81 mm. Terminal for connection of max 2 x 1,5 mm². Bridging is possible. Bottom inlet, two knock out openings.

Maintenance

Switch off the power to the fixture. Remove the shade and clean it. Do not use cleaning agents containing solvents. Change the light source if necessary. Check the gasket and change it if necessary. Replace the shade.

Spare parts

Shade: Part no 1-6109
 Gasket: Part no 3390

If the luminaire is modified the person responsible for the modification shall be considered manufacturer. Subject to errors in text. We reserve the right to change the technical specifications (without notice).